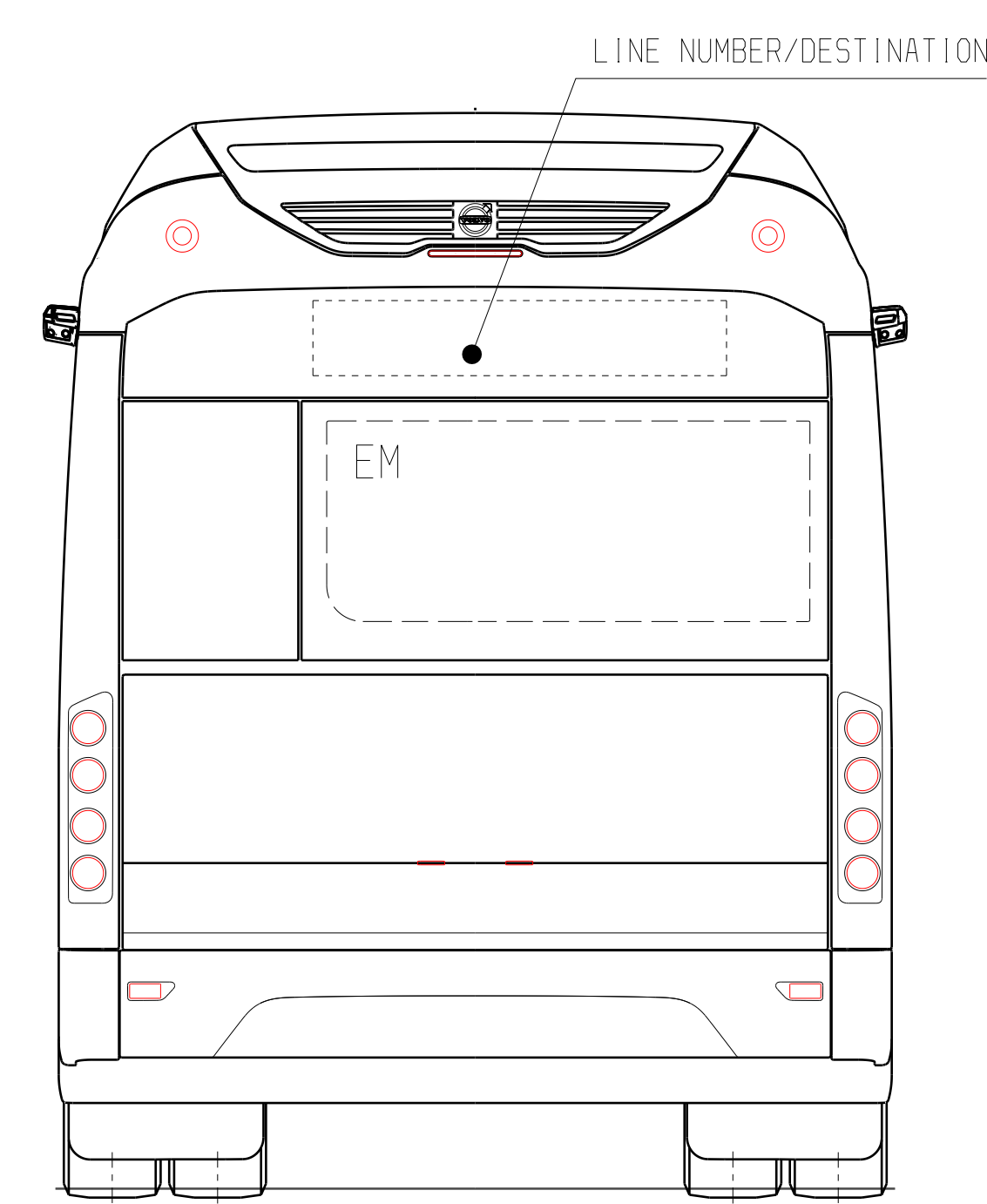
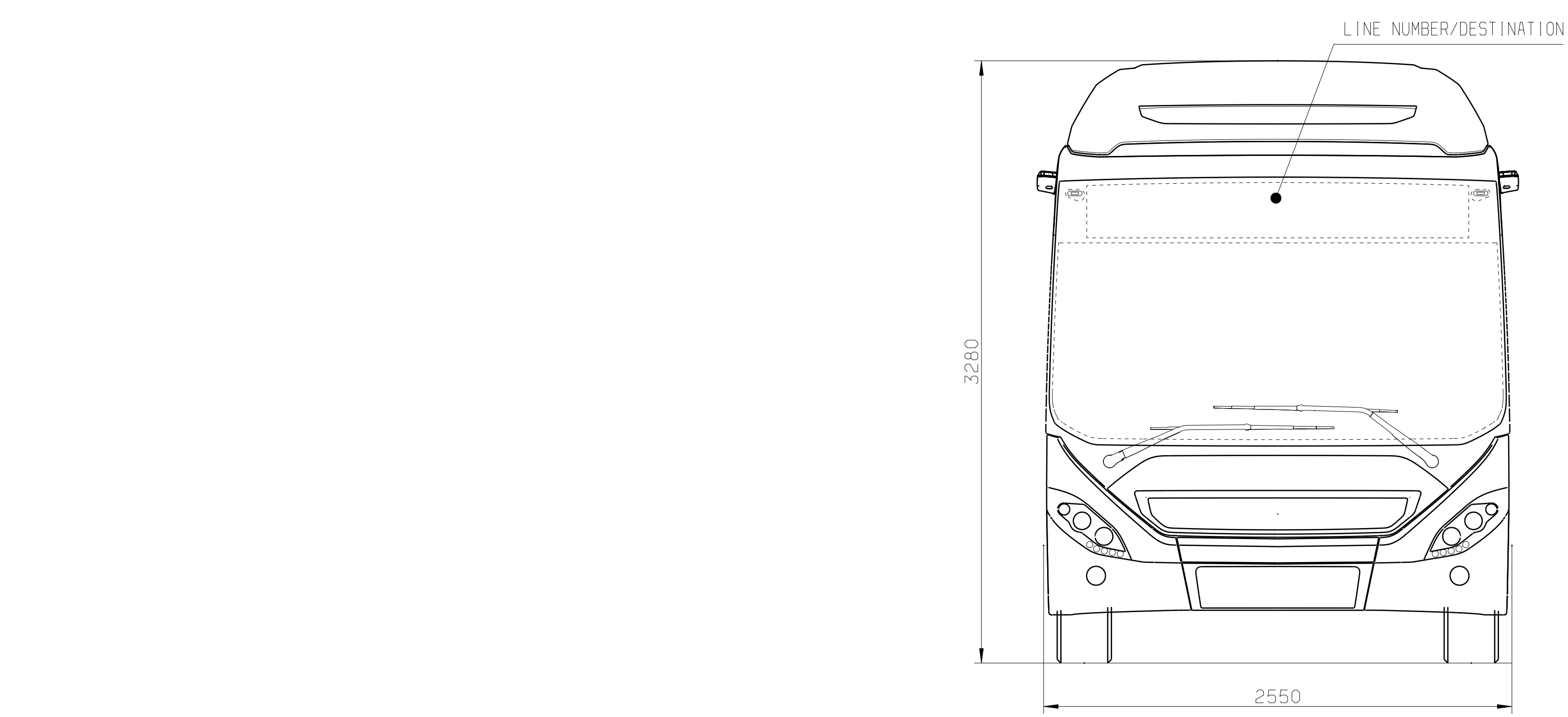
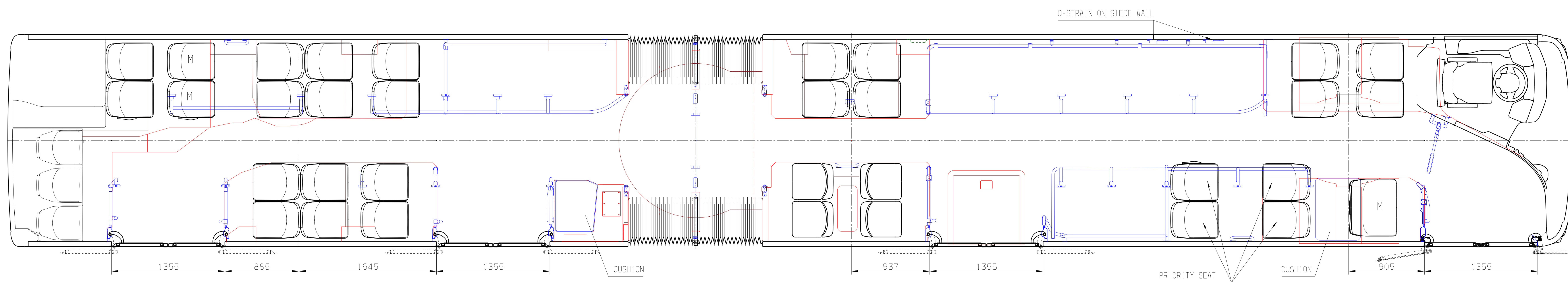
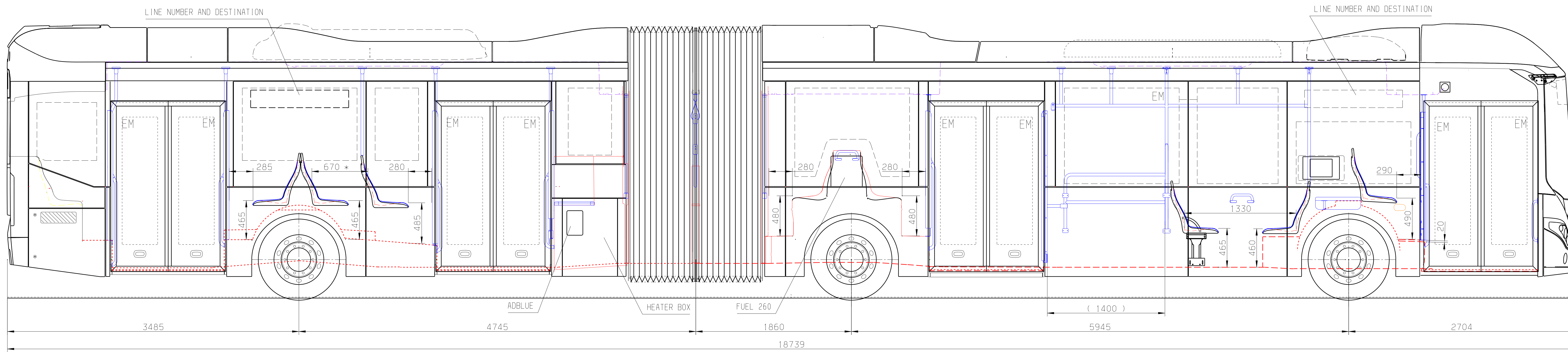
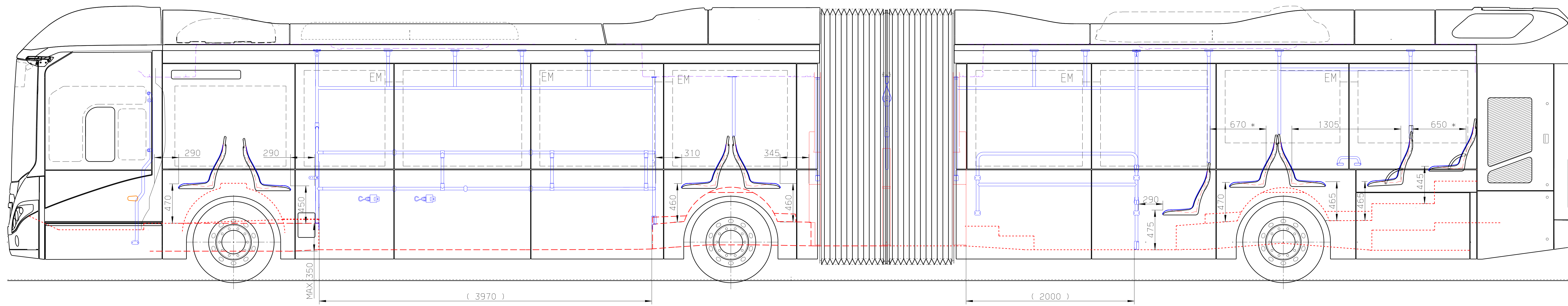


Engineering Release	Release Date	Location	Change description	Subject	Version	Document Release Status



PRELIMINARY DRAWING
WITHOUT WVTA / R107 NOT FULFILLED

SEAT TYPE: VOLVO CITYLINE CL3
(Thickness foam cushion/backrest 20/10)

SEATS MARKED:

M - INCLINED 3°

* - MEASURED HORIZONTALLY 620mm ABOVE THE FLOOR

EM - EMERGENCY EXIT

SCALE 1:20

IF IN DOUBT DO NOT TAKE MEASUREMENTS FROM THE DRAWING

THIS IS A SALES PROPOSAL DRAWING AND WILL NOT NECESSARILY BE ADHERED TO IN PRODUCTION

SYMBOLS, DESIGNATIONS AND GENERAL DRAWING METHODS
STD 101-0005

☺ METHOD E. FIRST ANGLE PROJECTION METHOD

The copying, distribution and utilization of this document as well as the compilation of its contents to generate third-party products is prohibited, if not expressly reserved in the grant of a patent, utility model or industrial design registration.		Document title
OFFER DRAWING; CLASS 1 36+0+1 CITYLINE CL3 7305L BH VL18.7 DL2222		Document type
VOLVO Volvo Bus Corporation		Order number/Document prefix
Document No	Issue No	Sheet No
24161681	03	